

# Boost Your Power & Profit

## MT Series G2

4 MPPT 3 Phase Grid-tied Inverter

50kW / 60kW / 70kW

The second generation of GoodWe MT series inverter is suitable for medium and large scale commercial rooftops and ground-mounted solar PV systems where maximum versatility and profitability are important. With its compact design and power boost function, the GoodWe MT G2 series can provide a 15% continuous maximum AC output power overload, thus offering a faster return on investment.



DC

30% DC Input Oversizing Ratio



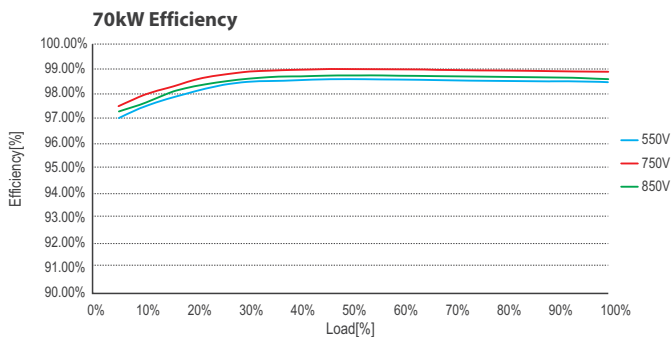
Full-load Running at 50°C

AC

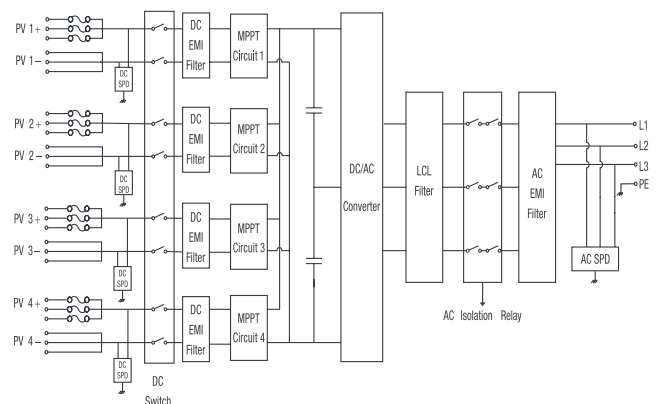
15% AC Output Overloading Ratio



20% More Compact



GW70KHV-MT Circuit Diagram



## Technical Data

### GW50K-MT

### GW60K-MT

### GW70KHV-MT

	GW50K-MT	GW60K-MT	GW70KHV-MT	
<b>PV String Input Data</b>	Max. PV Power (W)	65000	80000	87500
	Max. DC Input Voltage (V)	1000	1000	1100
	MPPT Range (V)	200~850	200~850	200~1000
	Start-up Voltage (V)	200	200	200
	MPPT Range for Full Load (V)	520~850	520~850	550~850
	Nominal DC Input Voltage (V)	620	620	750
	Max. Input Current (A)	30/30/20/20	30/30/30/30	33/33/33/33
	Max. Short Current (A)	38/38/25/25	38/38/38/38	41.5/41.5/41.5/41.5
	No. of MPP Trackers	4	4	4
	No. of Input Strings per Tracker	3/3/2/2	3/3/3/3	3/3/3/3
<b>AC Output Data</b>	Nominal Output Power (W)	50000	60000	70000
	Max. Output Power (W)	55000, 57500@415Vac	66000, 69000@415Vac	77000
	Max. Output Apparent Power (VA)	55000, 57500@415Vac	66000, 69000@415Vac	77000
	Nominal Output Voltage (V)	400, 3L/N/PE or 3L/PE	400, 3L/N/PE or 3L/PE	500, 3L/PE
	Nominal Output Frequency (Hz)	50/60	50/60	50/60
	Max. Output Current (A)	80	96	89
	Output Power Factor	~1 (Adjustable from 0.8 leading to 0.8 lagging)		
Output THDi (@Nominal Output)	<3%	<3%	<3%	
<b>Efficiency</b>	Max. Efficiency	98.7%	98.8%	99.0%
	Euro Efficiency	98.3%	98.5%	98.4%
<b>Protection</b>	PV String Current Monitoring	Integrated	Integrated	Integrated
	Anti-islanding Protection	Integrated	Integrated	Integrated
	Input Reverse Polarity Protection	Integrated	Integrated	Integrated
	Insulation Monitoring	Integrated	Integrated	Integrated
	DC fuse	Integrated	Integrated	Integrated
	Anti-PID Function for Module	Optional	Optional	Optional
	DC SPD Protection	Integrated(Type II)	Integrated(Type II)	Integrated (Type II)
	AC SPD Protection	Integrated(Type II)	Integrated(Type II)	Integrated (Type II)
	Residual Current Monitoring Unit	Integrated	Integrated	Integrated
	AC Over Current Protection	Integrated	Integrated	Integrated
	AC Short Protection	Integrated	Integrated	Integrated
AC Over Voltage Protection	Integrated	Integrated	Integrated	
<b>General Data</b>	Operating Temperature Range (°C)	-30~60	-30~60	-30~60
	Relative Humidity	0~100%	0~100%	0~100%
	Operating Altitude (m)	≤4000	≤4000	≤4000
	Cooling	Fan Cooling	Fan Cooling	Fan Cooling
	Display	LCD or WiFi+APP	LCD or WiFi+APP	LED, WiFi+APP, LCD(Optional)
	Communication	RS485 or WiFi	RS485 or WiFi	RS485 ; WiFi; PLC(optional)
	Weight (kg)	59	64	60
	Size (Width*Height*Depth mm)	586*788*264	586*788*264	586*788*264
	Protection Degree	IP65	IP65	IP65
	Night Self Consumption (W)	<1	<1	<1
	Topology	Transformerless	Transformerless	Transformerless
<b>Certifications &amp; Standards</b>	Grid Regulation	VDEV 0126-1-1, VDE-AR-N 4105 AS/NZS 4777.2, EN50438,G59, IEC61727, IEC62116		
	Safety Regulation	EN62109-1&-2		
	EMC	EN 6100-6-4, 2007+A1:2011, EN 61000-6-2:2005, EN 61000-3-11:2000, EN 61000-3-12:2011+AC:2013		